

Cellular antenna Indoor-outdoor



DOC_MPR_ANT310_Data sheet_A
(latest update 01/14/2020)

This omnidirectional antenna model has been specially designed for outdoor and marine facilities (IP67 antenna).

The radome is designed in a very robust ABS resisting to choc and UV.

It can be used on vehicles or ships.

Despite its small size (7,5cm) it offers excellent performances with a good isotropic gain.

- VERSATILE
 - Can be fixed on a roof, a box or a flat surface.
 - With a specific kit: can be fixed on a wall or a matt

Characteristics

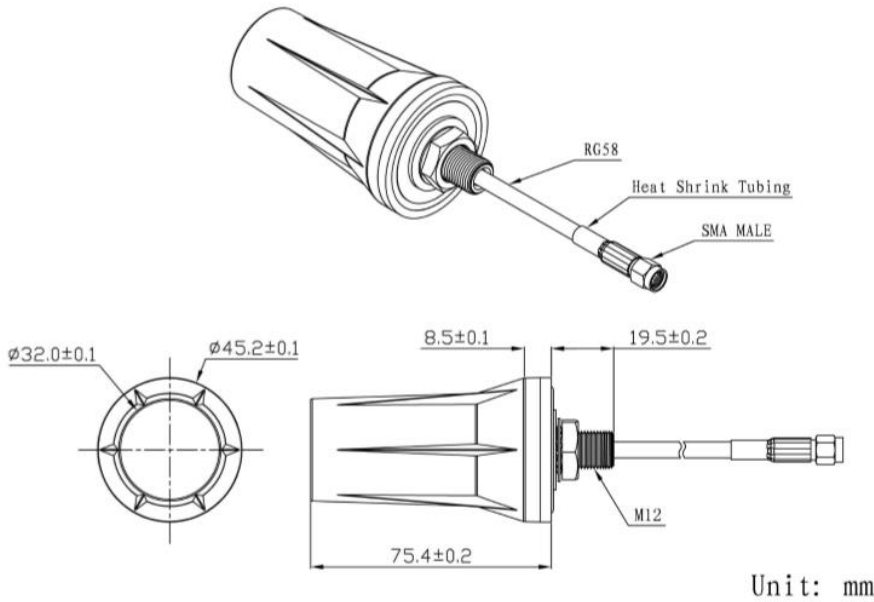
Electrical	
Type	Mobile, Marine (IP67)
Frequencies	<ul style="list-style-type: none"> • 698-960 Mhz • 1710-2690 Mhz Adapted to 2G up to 4G networks
Impedance	50Ω
Polarization	Vertical
Gain	<ul style="list-style-type: none"> • 2dB (Zenith) See radiation pattern
VSWR.	<3.0
Cable	Low Loss at 5m (RG58)
Connector	SMA-m

Mecanical	
Material	UV stabilized ABS / Weatherproof (110g)
Color	Black
Height	75 mm
Mounting	Screwing
Fixation	Hole on a surface
Temperature	-40°C up to +85°C

ANT310

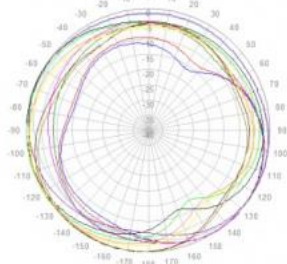
cellular ANTENNA
2G-3G-4G

INSTALLATION

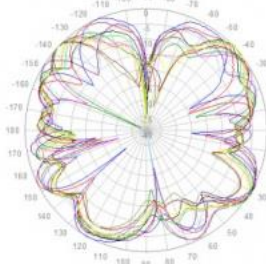


Radiation pattern

Azimuth Polar Plot

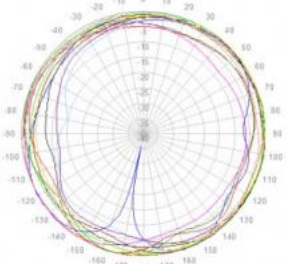


Elevation Polar Plot

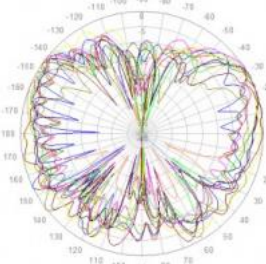


Frequency bands : 690 -960 MHz

Azimuth Polar Plot



Elevation Polar Plot



Frequency bands : 1710 – 2690 MHz