

SURGE PROTECTION



PS02 is dedicated to the protection of SHDSL communication interfaces. Connection is simply made by 2 4-points screw terminals or 2 RJ45 connectors (RJ12 with adapter supplied). A grounding kit is provided for PS02 not attached to a DIN rail.



WARNING:

Installation and startup may only be carried out by qualified personnel. The relevant country-specific regulations must be observed.

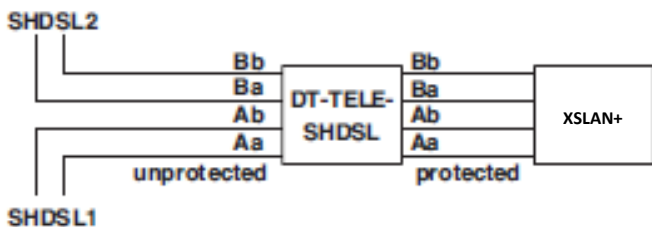
WARNING: Risk of electric shock and fire

Check the device for external damage before installation. If the device is defective, it must not be used.



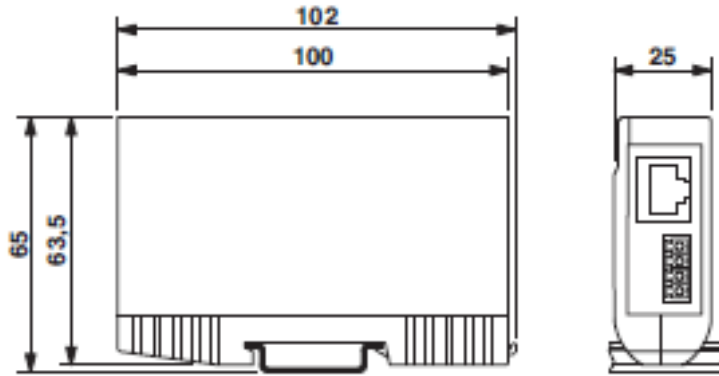
NOTE

- Ensure that the operating voltage and current of the systems to be protected do not exceed the maximum permitted value of the device.
- The device is intended for a clean and dry environment. Do not subject the device to mechanical and/or thermal loads that exceed the limits specified in the technical data.

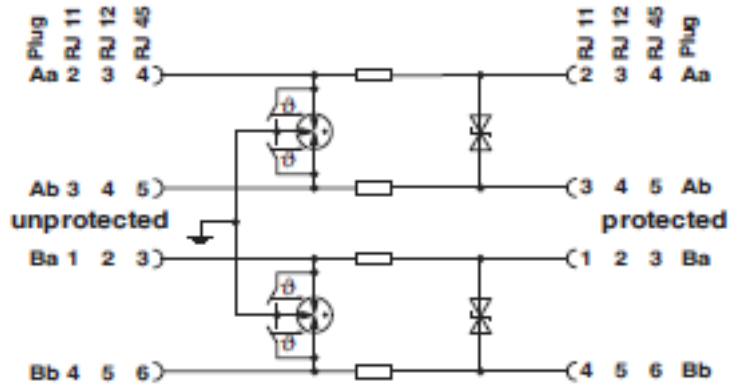


DOC_MPR_PS02_Data sheet_A (latest update : 11/23/2017)

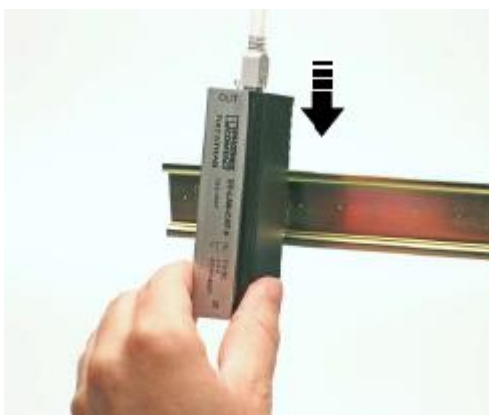
INSTALLATION AND CHARACTERISTICS



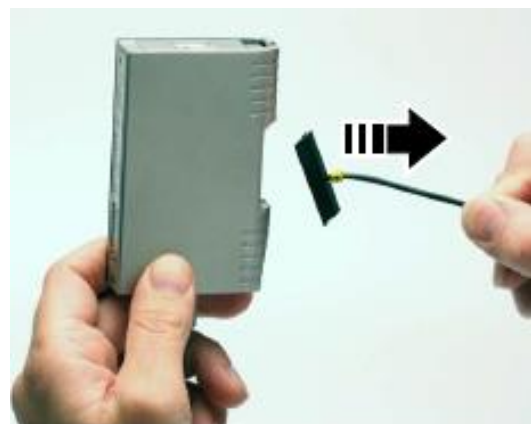
Dimensions



Cable schematics



DIN rail mounting



Ground connection kit