

ANTENNA 145 / 175 MHZ

INSTALLATION ON MAST

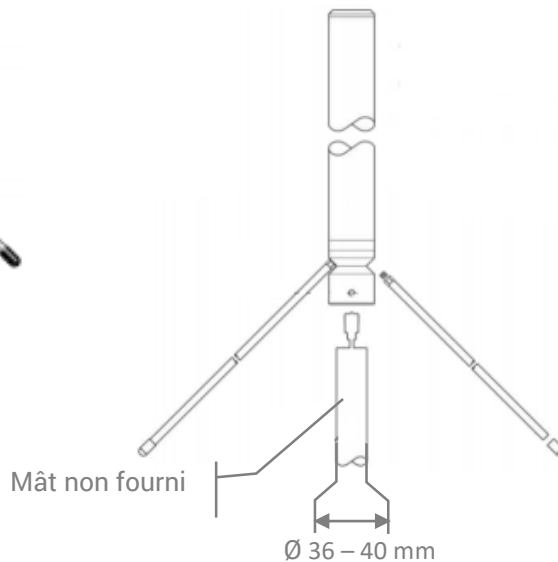


Omnidirectional antenna for fixed installations.

It offers gain that compensates for losses due to cable lengths.

It uses high quality materials which ensure a perfect resistance to time and harsh weather.

It is designed to be fixed in the extension of a mast with an arrival of the cable in the mast itself.



CHARACTERISTICS

Electrical		Mecanical	
Type	¼ wave, with ground plane	Material	anodized aluminum 6063-T5, stainless steel
Frequencies	145-175 MHz	Résistance au vent	43 N à 150/160Kmh
Impedance	50Ω	Wind resistance	0,04m ²
Polarization	Vertical	Dimension (H/L)	700 x 520 mm
Radiance Horiz.	360° Omni	Weight	1,150 kg
Radiance Verti.	Beam at -3dBm:78° 168Mhz	T°	-40°C ~ + 60°C
Gain at 169Mhz	1,6 / 1,8 dBi	Mast requested	Diameter 36-40mm de
Power Max	1000W	Cable length	Option 5m or 10 m (to be precised at PO)
Connector	N female, golden midpoint		