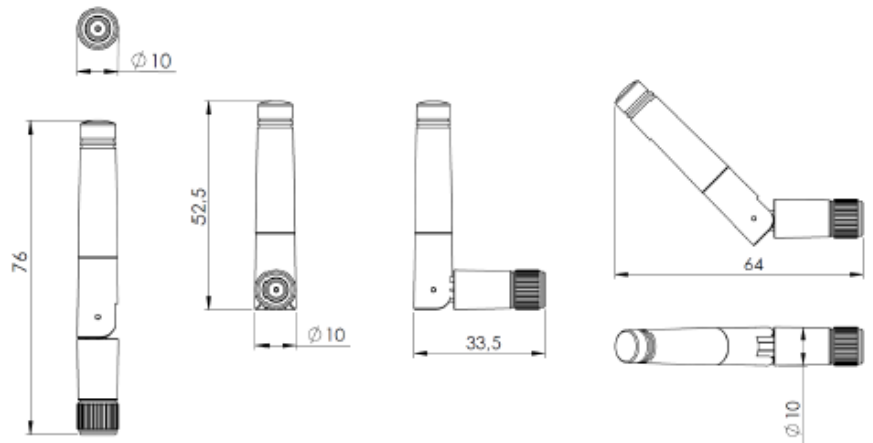


## FRONT PANEL WI-FI ANTENNA

This front panel antenna is designed for installation in a non-metallic enclosure.



## CHARACTERISTICS

	Electrical
<b>Type</b>	Omnidirectional
<b>Frequencies</b>	2,4 / -5,5 GHz
<b>Impedance</b>	50Ω
<b>Polarization</b>	Linear
<b>VSWR</b>	<2,6 :1 Maximum
<b>Gain</b>	5 dBi

	Mechanical
<b>Material</b>	ABS
<b>Dimension (D/H)</b>	10 x 76 mm
<b>Connector</b>	SMA male
<b>Weight</b>	12g
<b>Temperature</b>	-40°C ~ +85°C