

REMOTE CONTROL REMOTE MAINTENANCE PSTN OR DEDICATED LINE



The MTI133 range of modems allows data transmission over the telephone network or dedicated public or private lines.

It is the ideal product as well for remote control systems as for remote maintenance of industrial devices like PLCs for instance.

It operates over telephone networks around the world and has been tested with most brands of PLCs.

The "low power" model consumes 50 μ A / 12 VDC in standby. It is designed for battery- or solar-powered remote measurement installations.

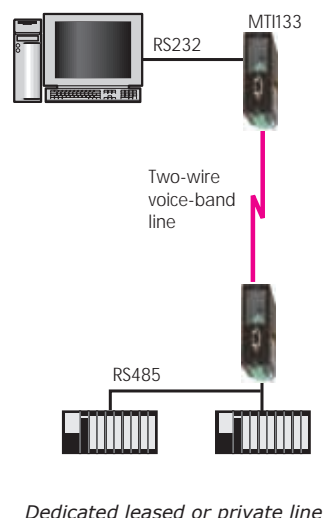
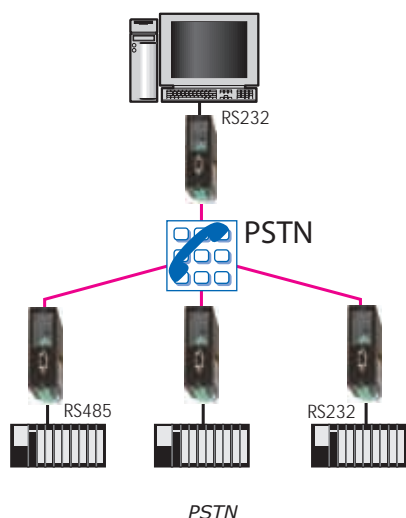
Key-features

- Telephone network
- Dedicated line (private or public)
- V90 - 33.6 kb/s data rate
- AT commands
- Digital input call command
- MODBUS - UNITELWAY call commands option
- RS485 and RS232 7/8 bits + parity
- «Low power» model
- Micro-switches configuration
- ModemView software

Applications

- Remote control systems
- Remote maintenance of industrial devices
- Battery and solar powered systems

MTI133 Industrial modem 33.6 kb/s



General characteristics

Dimensions	115 x 38 x 96 mm (h, l, d))
Installation	DIN rail 35 mm
Protection class	IP20
Power requirements	<ul style="list-style-type: none"> ■ MTI133-•0• : 9 to 40 VDC ■ MTI133-•1• : 40 to 60 VDC ■ MTI133-102 : 9 to 16 VDC
EMC immunity	<ul style="list-style-type: none"> ■ ESD : EN61000-4-2 : 6 kV discharge ■ RF field : EN61000-4-3 : 10V/m < 2 GHz ■ Fast transient : EN61000-4-4 ■ Surge V. : EN61000-4-5 : 4kV line / earth
Safety	EN 60950 & UL1950
Banned substances	2002/95/CE ROHS european union directive
Humidity	5 to 95 % RH
Operating T°	-20°C/+60°C non condensing
Configuration	8 DIP-switches and AT commands

Serial interface

Serial interface	<ul style="list-style-type: none"> ■ RS232 : DB9 female ■ RS232 : RX - TX - RTS - CTS - CD - DSR - DTR ■ RS485 2 wires - Screw block - 16 devices ■ RS422 4 wires - Screw block - 16 devices
Data	<ul style="list-style-type: none"> ■ 7 or 8 bits ■ Parity : none / even / odd ■ 1 start bit, 1 stop ■ 19.2 - 9.6 - 4.8 - 2.4 Kb/s
Field bus compatibility	<ul style="list-style-type: none"> ■ Request / Response protocols ■ MODBUS, UNITELWAY, DF1, DH-485, SYSMAC-WAY...

Transmission characteristics

Cable type	<ul style="list-style-type: none"> ■ 1 twisted pair (2 wires) ■ Diam 0,4 mm to 0,8 mm
-------------------	---

MTI133-•••INT	100	101	102	201	211
PSTN	•	•	•	•	•
Voice-band dedicated line	•	•			
V90 33.6 Kb/s	•	•	•	•	•
RS232	•	•	•	•	•
RS485 2 wires	•			•	•
RS422 4 wires		•			
Auto-baud locked				•	•
Serial data rate kb/s	38.4	38.4	38.4	19.2	19.2
Digital input call control	X1	X1	-	X3	X3
MODBUS call commands				•	•
UNITELWAY call commands				•	•
Supply voltage VDC	9-40	9-40	9-16	9-40	40-60
Consumption mA at 12VDC			180		
Consumption mA/24 VDC	150	150		150	150
Low power 50µA off-line			•		



13, Chemin du Vieux Chêne
38240 Meylan France
Tél : 33 4 76 04 20 00
Fax : 33 4 76 04 20 01

www.etictelcom.com

