

REMOTE CONTROL VIA GSM

Designed for the remote control of PLCs, the MGi196 GSM modem permits data transmission at a rate of 9600 b/s via the GSM network.

Equipped with the latest GSM technology, it is compatible with all GSM networks (900-1800-1900 MHz) and also most PLCs.



Characteristics

- 900-1800-1900 MHz GSM networks
- 3 digital inputs for data call or SMS
- RS232 / RS485 / RS422
- Audio interface
- DIN rail mounting



Applications

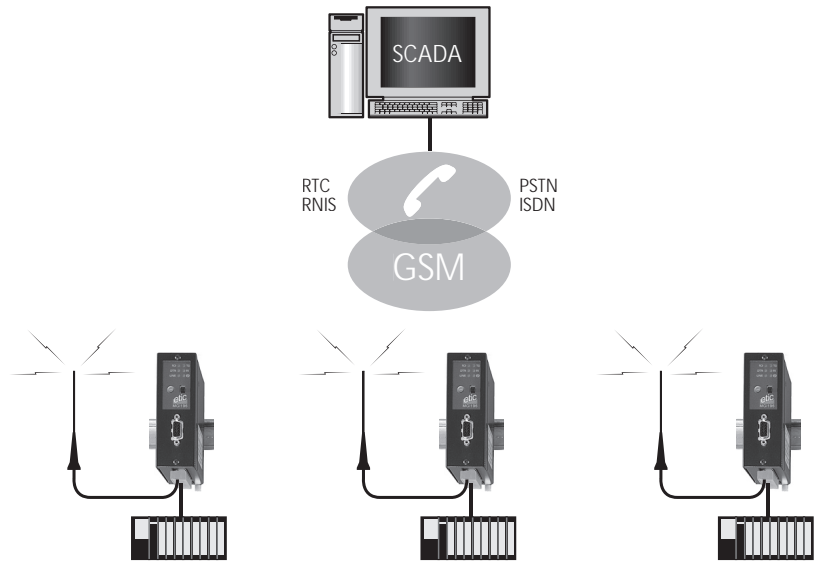
Automation networks

MGi196 GSM 900 - 1800 MHz Modem

Remote control

The MGi196 facilitates the creation of remote control systems :

The three call contacts allow you to simply establish communication and send programmable SMS text messages. The RS232-RS485-RS422 interface permits you to directly connect the modem to the PLC.



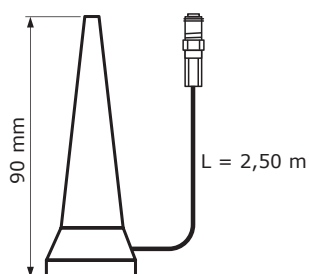
Characteristics

Features	Data SMS text messages Audio communications
Size	115 x 38 x 97 mm (h, l, p)
E.M.I.	EN50082-2
Electrical safety	EN 60950
Power requirements	9 to 30 VDC
24 VDC power Consumption	Average : 150 mA Peak : 300 mA
Operating Temperature	0° / +60°C
GSM Network	GSM 900 MHz and DCS 1800-1900 MHz networks
Interfaces	RS232 and RS485 and RS422 (four wires) Audio interface for external microphone and speaker 3 digital inputs / 1 digital output
Error Correction	V42
Serial interface	300 to 19200 b/s 7-8 bits Parity : N / E / O, 1 start, 1-2 stops
Call Commands	■ AT commands (Hayes) ■ 3 digital inputs for data calls and sms

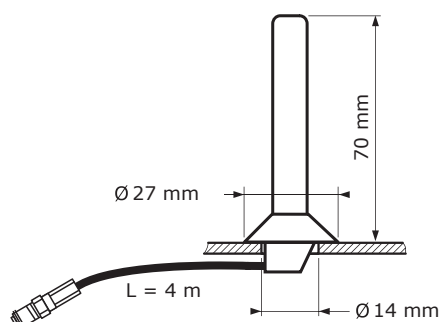
Designation	Reference
GSM Modem	MGi196

Accessories

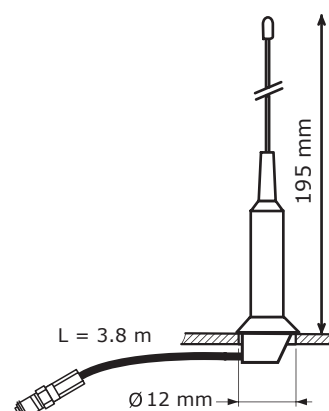
Designation	Characteristics				Reference
RS232 Cable	Length 1,5 m - DB9 M/DB9 F				CAB01
Antennas	ANT200	ANT201	ANT202	ANT203	
890-960 MHz GSM Frequency	•	•	•	•	
DCS 1710-1880 MHz Frequency	•	•	•	•	
Magnetic mounting	•	•			
Body mounted / Ø of hole (mm)			• / 14	• / 12	
Gain (dB) X / Y X=gain at 900 MHz Y=gain at 1800 Mhz	0 / 0	0 / 2	0	2 / 3	
Height (mm)	90	215	70	195	
Type of coaxial cable	RG174 2.54 mm	RG174 2.54 mm	RG174 2.54 mm	RG174 2.54 mm	
Length of coaxial (m)	2.5	3.0	3.8	3.8	
Connection	FME fem.	FME fem.	FME fem.	FME fem.	



ANT200



ANT202



ANT203

Connecting cables for PLC's

Refer to the Cable section to select the cable corresponding to your application

Delivery Content

MGi196 Modem - RS232 cable CAB01 - User guide