

# IM512

## 512 kb/s ISDN INVERSE MULTIPLEXER



**56 TO 512 kb/s  
ON DEMAND**

### KEY FEATURES

- 56 TO 512 kb/s OVER ISDN
- 4 EURO-ISDN BASIC RATE INTERFACES
- AUTO-DIALING: SYNCHRONOUS V25b / X21 / RS366 / DTR
- BONDING 1 / 2 / 3 SYNCHRONIZATION
- 64 kb/s T.A. INTEROPERABILITY
- REMOTE MAINTENANCE THROUGH ISDN
- 2 DTE V11 / RS449 / V35 PORTS
- INMARSAT -COMPATIBLE

### APPLICATIONS

LEASED LINE BACKUP AND OVERFLOW

VIDEOCONFERENCING

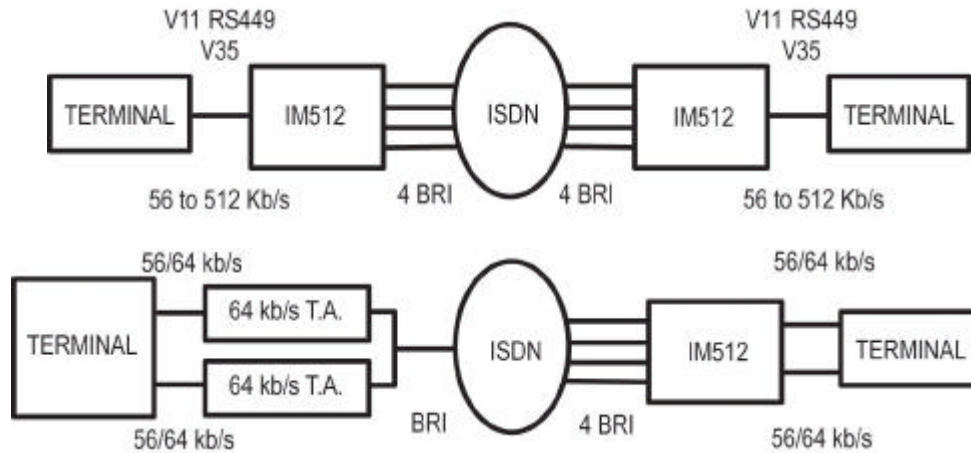
TRANSFER OF LARGE DATA VOLUMES

With its 4 ISDN basic rate interfaces (BRI), the IM512 inverse multiplexer lets you dial up a synchronous ISDN communication with a user-selectable bandwidth from 56 to 512 kb/s.

Easy to install with its integrated installation menu (VT100 terminal), it offers various call command possibilities.

Because it uses the BONDING synchronization standard, the IM512 is compatible with most inverse multiplexers and 56 / 64 kb/s terminal adapters.

# IM512



## 56 TO 512 KB/S ON DEMAND

After a command is issued by the user or automatically with standardized call sequences, the IM512 dials the party's number and sets up and synchronizes the ISDN B channels. In just seconds, a connection providing a data rate up to 512 kb/s is established between two data terminals such as IP routers, data and voice or X25 multiplexers, video co-decs ...

## COMPATIBLE

The IM512 is approved all around Europe. Moreover, it uses the ANSI and ISO BONDING™ synchronization standard, allowing communication with most inverse multiplexers and all terminal adapters worldwide, whether they are connected to an ISDN at 56 or 64 kb/s.

## FLEXIBLE

The IM512 can be programmed to autodial using one of the standard command sets: Synchronous or asynchronous V25 bis, X21, RS 366, DTR control lead ...

## CHARACTERISTICS

|  |  |
|--|--|
| <b>Performance</b>                     | One 56 to 512 kb/s session via port 1 or two 56 or 64 kb/s via port 1 and port 2<br>Internetworking with a unit connected to a 56kb/s ISDN network |
| <b>Port 1</b>                          | 56 to 512 kb/s. synchronous<br>RS449 or V24-V11 or V10 (V35 adapting with cable)<br>DB37 female connector  |
| <b>Port 2</b>                          | 56 or 64 kb/s. synchronous<br>RS449 or V24-V11 or V10 (V35 adapting with cable)<br>DB37 female connector   |
| <b>Auto-dialing</b>                    | Synchronous V25 bis (port 1)<br>RS366 (port 1 and port 2)<br>Asynchronous V25 bis (CONTROL port)<br>DTR control lead (port 1)<br>VT100             |
| <b>Configuration</b>                   | VT100 Terminal (WINDOWS Hyperterminal)   |
| <b>ISDN</b>                            | 4 basic rate interfaces (BRI)  |
| <b>INMARSAT</b>                        | Possibility to use only one Bchannel per S0 interface for compatibility with ISDN / INMARSAT adapters  |
| <b>Channel aggregation</b>             | BONDING modes 0 / 1 / 2 / 3  |
| <b>Differential delay compensation</b> | 512 ms between B channels  |
| <b>Loops</b>                           | 3C, 2B, A, 4, remote loop  |
| <b>Setup</b>                           | Local via VT100 or ASCII.<br>Software downloading through ISDN   |
| <b>Dimensions</b>                      | 222 X 50 x 285 mm (L X H X D)  |
| <b>Power supply</b>                    | 110 or 230 VAC +10%  |
| <b>Operating T°</b>                    | +10 °C to +50 °C   |
| <b>Electrical safety</b>               | CEI 801-2 level 4  |
| <b>EMC</b>                             | CEI 801-3 level 2 / CEI 801-4 level 2  |

## REFERENCES

|                                      |                |
|--------------------------------------|----------------|
| <b>VN4 inverse multiplexer</b>       | <b>IM512-0</b> |
| <b>EURO-ISDN inverse multiplexer</b> | <b>IM512-1</b> |

ETIC Télécommunications - 13, Chemin du Vieux Chêne -  
ZIRST 4201 - 38942 MEYLAN Cedex - FRANCE  
TEL : 33 (0) 4 76 04 20 00 FAX : 33 (0) 4 76 04 20 01  
E-mail : sales@etictelecom.com  
Web : www.etictelecom.com